

The new 920CX is a High Performance 620mm by 420mm tunnel checkpoint screening system with best in class image quality and excellent threat detection alert capabilities.

INDUSTRY BEST PENETRATION, WIRE & SPATIAL RESOLUTION

EXPLOSIVES & NARCOTICS DETECTION

LOW DENSITY IMAGE ENHANCEMENT

MATRIXING, NETWORKING & REMOTE VIEWING



SPECTRUM 4-COLOR IMAGING

920CX now can exhibit images in the Classic 4-color and the new proprietary Spectrum 4-color (SP4) option providing superior image, allowing improved security by quick and accurate identification of threats and increase in throughput.

EXPLOSIVES AND NARCOTICS DETECTION

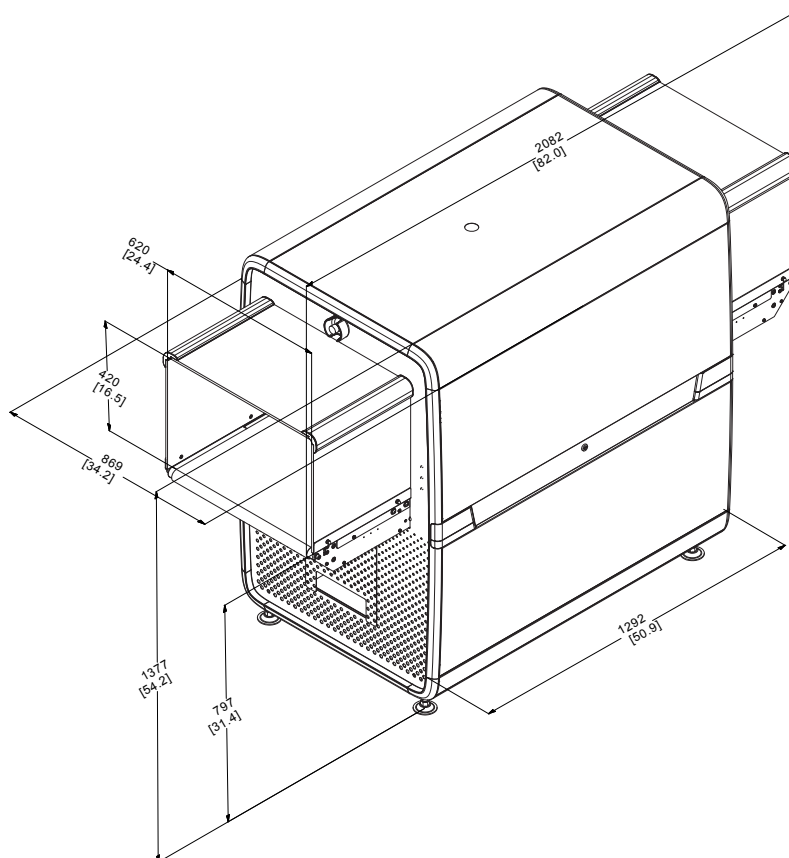
Target and NARCScan are designed to detect a wide range of explosives and narcotics respectively in real time during the scanning process by marking a potential threat on the X-ray image. Rapiscan® Systems detection algorithms are based on regulatory approved material analysis techniques.

DUAL MODE AUTO Z_{EFF}

The new dual mode Z_{eff} feature helps with identification of organic materials accurately and quickly either in Range mode which highlights the areas based on range selected by the operator, and/or in Interactive mode which provides the operator the option to display the areas based on the value of the pixel.

EUROPEAN AVIATION COMPLIANCE

920CX performance is in full compliance with the mandatory regulations (EC) No. 300/2008, (EU) No. 185/2010 and commissions decision C(2010)774 for aviation security in the European Union.



PHYSICAL SPECIFICATIONS ¹

DIMENSIONS	L	2,082 mm (82.0 in)
	W	869 mm (34.2 in)
	H	1,377 mm (54.2 in)
TUNNEL SIZE	W	620 mm (24.4 in)
	H	420 mm (16.5 in)
CONVEYOR HEIGHT		797 mm (31.4 in.)
WEIGHT (NET)		537 Kg (1184 lbs)

ENVIRONMENT & POWER

STORAGE	
TEMPERATURE	-20°C to 50°C
OPERATING	
TEMPERATURE	0°C to 40°C
RELATIVE HUMIDITY	5 to 95% non-condensing
SYSTEM POWER	100/110/120/200/208 /220/230/240 VAC ±10%

PERFORMANCE ²

CONVEYOR SPEED ¹	0.20 m/sec (39.4 ft/min)
CONVEYOR LOAD ¹	165 Kg (364 lbs)
STEEL PENETRATION	44 mm typical, 42 mm standard
WIRE PENETRATION	44 AWG typical, 42 AWG standard

HIGH SPEED OPTION

CONVEYOR SPEED	0.35m/sec (68.9 ft/min)
----------------	-------------------------

X-RAY GENERATOR

ANODE VOLTAGE:	160kV
ORIENTATION	Diagonally Upward

GOVERNMENT REGULATORY

Regulation (EC) No. 300/2008 Compliant
Regulation (EU) No. 185/2010 Compliant
EU Commissions Decision C(2010) 774 Compliant
U.K Department for Transport (DfT) TIP Approved

KEY FEATURES AND OPTIONS

Explosive threats, narcotics & density alerts

Spectrum 4

17 Image processing functions

SINERGY low density enhancement

Dual Mode Z-effective

CrystalClear™

Automatic, Enhanced Image Archiving

E.U. Approved Threat Image Projection

Remote Status Monitoring

Remote Archive Review

Multi-System Alarm Resolution Network

Multiplexing and Matrixing

Tray Return System Compatible

13 Languages

64-bit Operating System

Scan[®]S[™]

64-bit Operating System

info@rapiscansystems.com

www.rapiscansystems.com



Rapiscan[®]
systems
An OSI Systems Company

1. Approximate Values 2. Stated performance as measured by Rapiscan[®] Imaging Validation Test Kit

Rapiscan[®] Systems is ISO 9001:2015 Certified

Rapiscan[®] Systems' cabinet X-ray products comply with all applicable U.S. FDA and equivalent international regulatory agency requirements, contained in the cabinet X-ray radiation safety peace standard [21 CFR 1020.40] and the general performance standard [21 CFR Part 1010] as well as IEC standard 61010-2-091. Rapiscan[®] baggage and parcel inspection systems radiation emission leakages are well below the required regulatory limits with less than 1µSv/hr at 10 cm from all surfaces of cabinet X-ray.

With continual development of our products Rapiscan[®] Systems reserves the right to amend specifications without notice. Product pictures are for general reference. Please note that due to US laws and regulations, not all Rapiscan[®] products are available for sale in all countries without restriction. Please contact your Rapiscan[®] Systems sales representative for more information. Please contact your Rapiscan Systems sales representative for more information.

DSBP-0005-920CX-184301