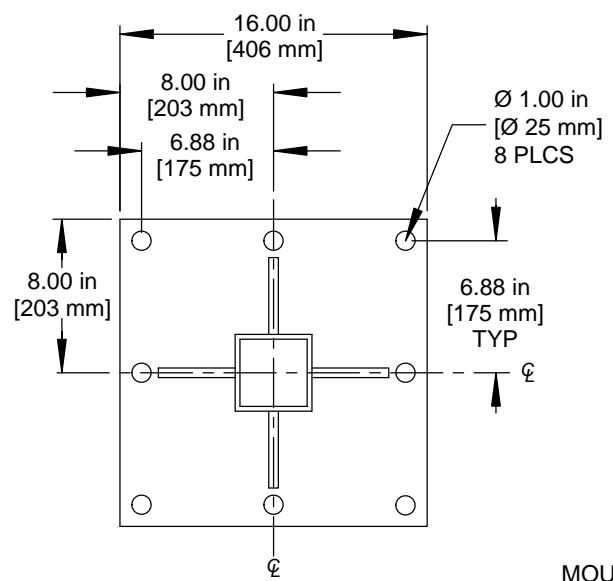
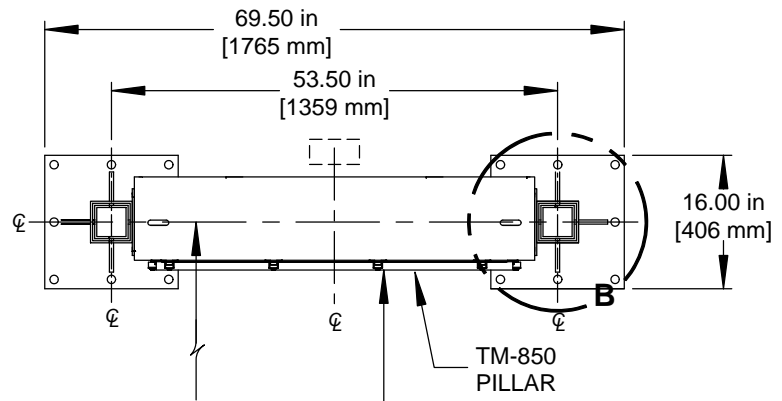
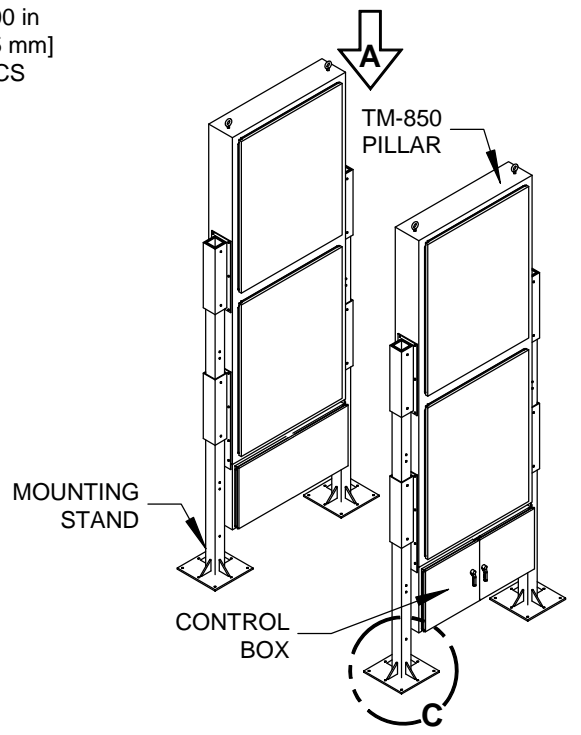


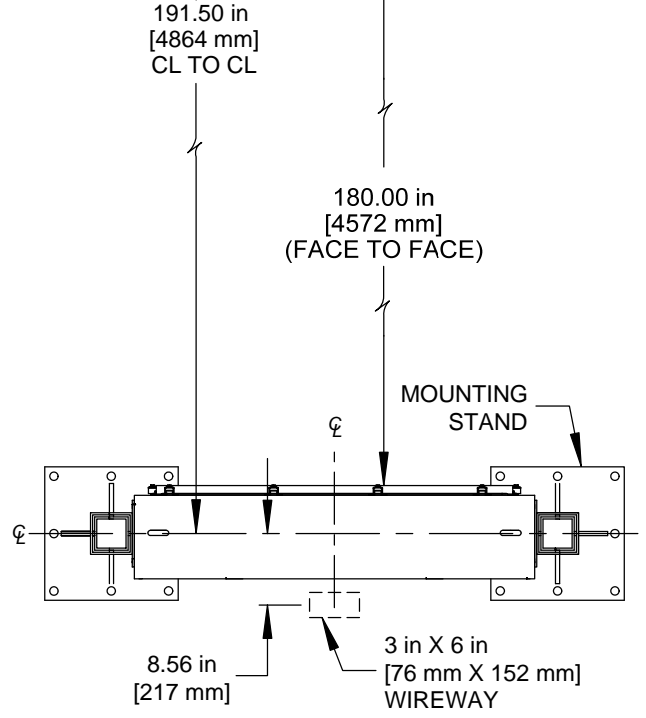
REVISION HISTORY			
REV	ECO NO	DESCRIPTION	DATE



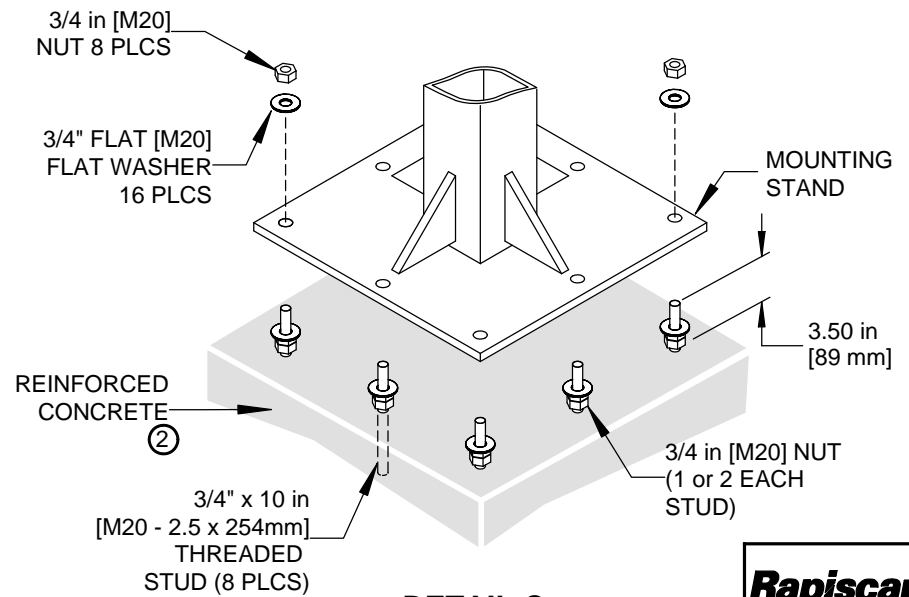
DETAIL B
(SHOWN ENLARGED, BOTH MOUNTING STANDS IDENTICAL)



ISOMETRIC VIEW



VIEW A



DETAIL C
(SHOWN ENLARGED, BOTH MOUNTING STANDS IDENTICAL, SOME HARDWARE NOT SHOWN)

- NOTES:**
- 1 - DRAWING SHOWS TYPICAL INSTALLATION DIMENSION AND LOCATION INFORMATION.
 - ② MOUNT MONITORS ONLY ON PROPERLY ENGINEERED FOUNDATION DESIGNED TO MEET SPECIFIC SITE CONDITIONS AND REQUIREMENTS.

	Title: TM850 FOOTPRINT AND MOUNTING		TM850FTPRNT-MNTNG
	Model - Series:		
Dimension Units: Inches [mm]	Drawn By: P Ross	INITIALS	40164
Tolerance: .XXX = ±.01" [0.3 mm] UNLESS OTHERWISE NOTED.	Date: 10-15-12	REV.	
Location: G:/User/QualityDocuments/Mechanical			A
File Name: 40164A.tcw	DWG #:	REV.	
Made From: TSATM850_Footprint.tcw			