

# RAPISCAN 628DV



Dual view technology, easy loading conveyor and large tunnel for X-ray screening of large baggage and small cargo.

Large Parcel and Small Cargo Screening

Dual View Technology

Easy Loading Conveyor

High Image Quality for Complex Parcels



With a high tunnel opening of 1,000 mm x 1,000 mm, the Rapiscan 628DV is designed for screening small cargo as well as baggage and large parcels for air cargo, customs, critical infrastructure protection as well as aviation check-in screening applications.

The Rapiscan 628DV has been approved and included on the U.S. TSA Air Cargo Screening Technology List (ACSTL) applicable to U.S. TSA Certified Cargo Screening program (CCSP) as well as the Qualified Equipment and Services Lists applicable to the Transport Canada (TC) Air Cargo Security Program (ACS).

Tunnel Opening (width x height):  
1,000 x 1,000 mm (39.4 x 39.4 in)

## Standard Features

- Multi Energy Imaging (4 Color)
- View Previous/Next Bag
- Manual Image Archive
- Configurable Image Processing Keys
- Baggage Counter
- Date / Time Display
- Search Indicator
- UPS (Uninterrupted Power Supply)
- Remote Workstation
- Flat Panel Monitor

## Standard Image Processing Functions

- Crystal Clear™
- Black and White
- Organic / Inorganic Stripping
- Inverse Video
- High Penetration
- Pseudo Color
- Low Penetration
- Variable Edge Enhancement
- Variable Color Stripping
- Variable Gamma
- Variable Density
- Dynamic Continuous Zoom & Panning
- Fixed Zoom (64x)

### Automatic Detection of Explosives

Target™ automatically detects a wide range of explosives in real time during the scanning process by visibly highlighting a potential threat on the X-ray image.

### Automatic Detection of Narcotics

NARCSan™ automatically detects a wide range of narcotics in real time during the scanning process by visibly highlighting a potential threat on the X-ray image.

### Meeting Today's Most Stringent Global Requirements

Rapiscan 628DV meets the most rigorous detection and image quality requirements as set by the U.S. Transportation Security Administration (TSA), U.K. Department of Transport (DfT) and Transport Canada (TC).

### Regulatory Compliance

Rapiscan 628DV image quality performance is in compliance with regulation (EC) No. 300/2008. In addition, Rapiscan 628DVXR Threat Image Projection (TIP) is in compliance with regulation (EU) No. 185/2010.

### Greatest Number of Operator-Assist Tools Enables Highest Throughput

With over 13 image processing tools and multiple automatic detection functions, the feature rich software helps the operator easily and accurately detect contraband for the highest throughput and least operator fatigue.

### Dual View Advanced Technology

Government regulators including U.S. Transportation Security Administration (TSA) require dual view technology. Rapiscan dual view systems are able to produce two (2) separate simultaneous images from perpendicular orientations providing a more complete image, reducing the need for repositioning and rescanning and enabling rapid, accurate and comprehensive threat detection.



[www.rapiscansystems.com](http://www.rapiscansystems.com)

**Rapiscan**<sup>®</sup>  
systems

An OSI Systems Company

# RAPISCAN 628DV

## Physical Specifications

Dimensions: Length: 4,249 mm (167.3 in.)  
 Width: 2,026 mm (79.8 in.)  
 Height: 2,199 mm (86.6 in.)  
 Tunnel Size: 1,000 mm (W) x 1,000 mm (H) (39.4 x 39.4 in.)  
 Conveyor Speed: 0.20 m/sec (39.4 ft./min)  
 Conveyor Load: 165 Kg (364 lbs) evenly distributed  
 Conveyor Height: 354 mm (13.9 in.)  
 Approx Weight: Net: 1,772 Kg (3,907 lbs)  
 System Power: 115/230 VAC ±10%, 60/50Hz

## X-Ray Generator and Image Performance\*

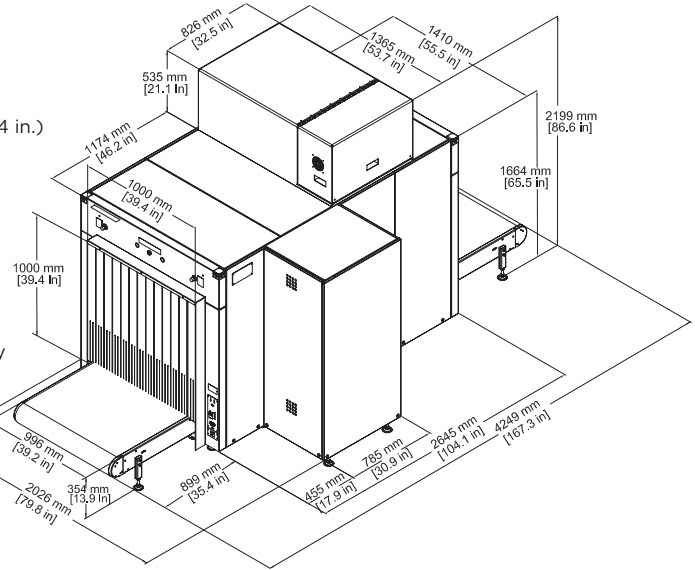
Steel Penetration: 28 mm guaranteed; 30 mm typical  
 Wire Resolution: 38 AWG guaranteed, 40 AWG typical  
 Material Separation: Low Z, Medium Z, High Z to 0.5 Z accuracy  
 Generator Cooling: Sealed oil bath with forced air  
 Anode Voltage: Operating at 160kV  
 Tube Current: 1.0 mA  
 Orientation: Vertically Downward and Horizontal

## Operating Environment

Storage Temperature: -20°C to 50°C  
 Operating Temperature: 0°C to 40°C  
 Relative Humidity: 5 to 95% non-condensing

## Health & Safety

Rapiscan Systems' cabinet X-ray products comply with all applicable US FDA and equivalent international regulatory agency requirements, contained in the cabinet X-ray radiation safety performance standard [21 CFR 1020.40] and the general performance standard [21 CFR Part 1010]. Rapiscan Systems certifies each cabinet X-ray product has a maximum radiation emission leakage of less 1 µSv/hr (0.1 mR/hr) from all external surfaces of the cabinet X-ray system.



## Options and Accessories

Target™ / Interactive Target™  
 (Automatic detection of solid explosives)  
 NARCSan™  
 (Automatic detection of narcotics)  
 Density Threshold Alert (DTA)  
 Threat Image Projection (TIP)  
 Threat Image Projection Network (TIPNet)  
 NETView™  
 (Remote network image archive review)  
 NEXLink™  
 (Advanced network X-ray management automation and link system)  
 Multi-System Alarm Resolution Network  
 Display Station (NDS)  
 Automatic Image Archiving  
 Enhanced Image Archiving

Computer Based Operator Training (CBT)  
 Operator Training Program (OTP)  
 Manual Scan  
 Foot-mat  
 Optical Operator Presence Sensor  
 SmartCard Login  
 Power Conditioner  
 Conveyor Accessories  
 Universal Printer Support

\*Stated performance as measured by Rapiscan Imaging Validation Test Kit.  
 Stated Dual View performance as measured in primary view.

With continual development of our products Rapiscan Systems reserves the right to amend specifications without notice. Product pictures are for general reference. Please note that due to US laws and regulations, not all Rapiscan products are available for sale in all countries without restriction. Please contact your Rapiscan Systems sales representative for more information.

## AMERICAS, CARIBBEAN

2805 Columbia Street  
 Torrance, California 90503  
 UNITED STATES OF AMERICA  
 Tel: +1 310-978-1457  
 Fax: +1 310-349-2491

## EUROPE, MIDDLE EAST, AFRICA

X-Ray House  
 Bonehurst Road  
 Salfords  
 Surrey RH1 5GG  
 UNITED KINGDOM  
 Tel: +44 (0) 870-7774301  
 Fax: +44 (0) 870-7774302

## ASIA

240 Macpherson Road  
 #07-01 Pines Industrial Building  
 Singapore 348574  
 SINGAPORE  
 Tel: +65-6846-3511  
 Fax: +65-6743-9915

## EMAIL

sales@rapiscansystems.com

## WEB

www.rapiscansystems.com

**Rapiscan**<sup>®</sup>  
 systems

An OSI Systems Company



Rapiscan Systems is  
 ISO 9001:2008 Certified

ONE COMPANY - TOTAL SECURITY

www.rapiscansystems.com