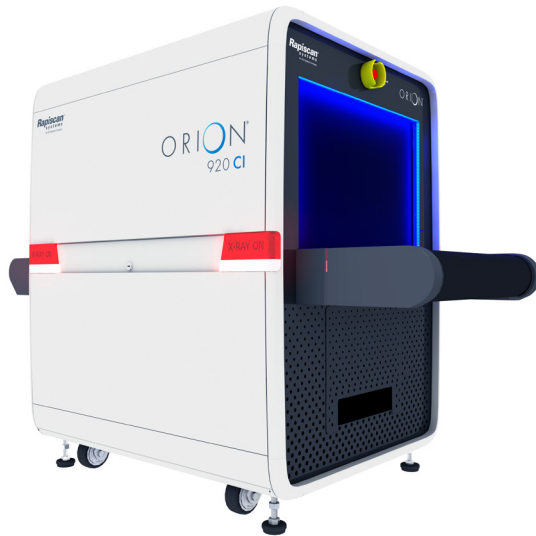


## DATASHEET



The new 920CI is an ultra-compact 620mm x 420mm tunnel X-ray security screening system with superb image quality for high threat checkpoint locations including event security, prisons and government buildings.

INDUSTRY BEST WIRE & SPATIAL RESOLUTION

ULTRA-COMPACT, NARROWEST WIDTH & SHORTEST HEIGHT

LOW DENSITY IMAGE ENHANCEMENT

E.U CIVIL AVIATION COMPLIANT, U.K APPROVED



### DUAL MODE Z<sub>EFF</sub>

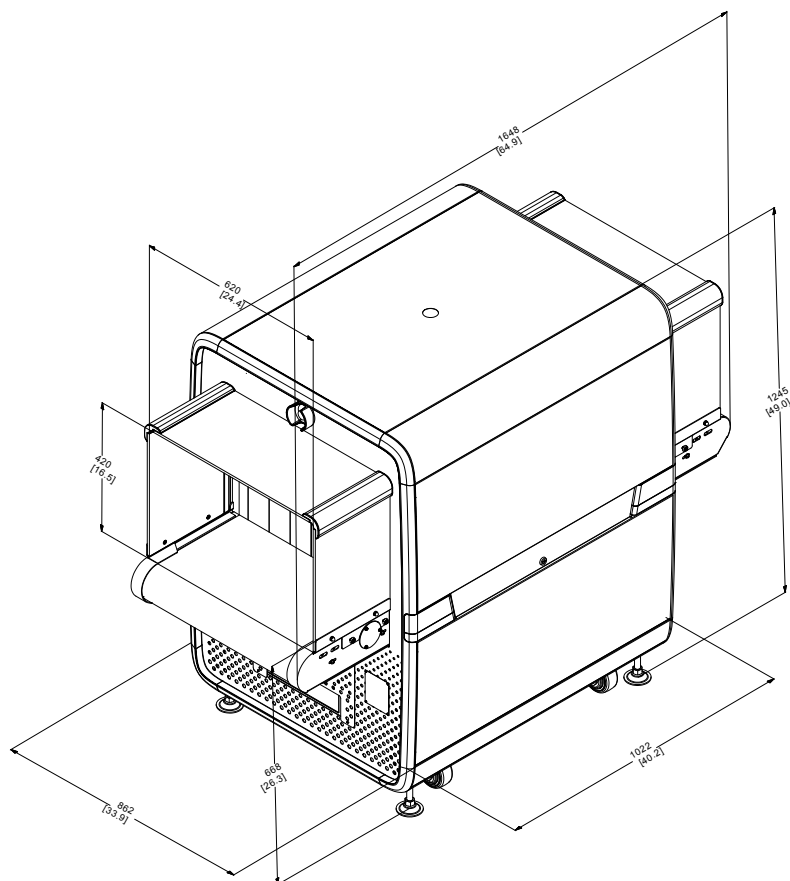
This feature helps operators identify organics accurately and quickly either in Range Mode which highlights the areas based on selected Z-effective numbers of 7, 8 or 9 by the operator, or in Interactive Mode which gives the operator the option to display the Z-effective number in all the areas of the scanned item based on the value of the pixel. Orion<sup>®</sup> family are the only systems in industry that can support both Range Mode and Interactive Mode.

### EUROPEAN AVIATION COMPLIANCE

920CI performance is in full compliance with the mandatory regulations (EC) No. 300/2008, (EC) Implementing Regulation 1998/2015 and update 815/2017, EC Implementing Decision 8005/2015 and update 3030/2017 for aviation security in the European Union.

### SPECTRUM 4-COLOR IMAGING

920CI now can exhibit images in the Classic 4-color and the new proprietary Spectrum 4-color (SP4) option providing superior image, allowing improved security by quick and accurate identification of threats and increase in throughput.



### PHYSICAL SPECIFICATIONS <sup>1</sup>

DIMENSIONS	L	1,650 mm (65.0 in)
	W	862 mm (33.9 in)
	H	1,245 mm (49.0 in)
TUNNEL SIZE	W	620 mm (24.4 in)
	H	420 mm (16.5 in)
CONVEYOR HEIGHT		668 mm (26.3 in.)
WEIGHT (NET)		394 Kg (869 lbs)

### ENVIRONMENT & POWER

STORAGE TEMPERATURE	-20°C to 50°C
OPERATING TEMPERATURE	0°C to 40°C
RELATIVE HUMIDITY	5 to 95% non-condensing
SYSTEM POWER	110/230 VAC ±10%

### PERFORMANCE <sup>2</sup>

CONVEYOR SPEED <sup>1</sup>	0.20 m/sec (39.4 ft/min)
CONVEYOR LOAD <sup>1</sup>	165 Kg (364 lbs)
STEEL PENETRATION	30 mm standard
WIRE RESOLUTION	40 AWG standard

### X-RAY GENERATOR

ANODE VOLTAGE	140kV
ORIENTATION	Diagonally Upward

### GOVERNMENT REGULATORY

Regulation (EC) No. 300/2008 Compliant
Regulation (EU) No. 185/2010 Compliant
EU Commissions Decision C(2010) 774 Compliant
U.K Department for Transport (DfT) TIP Approved

### KEY FEATURES AND OPTIONS

- Spectrum 4
- 17 Image processing functions
- SINERGY low density enhancement
- Dual Mode Z-effective
- CrystalClear™
- Automatic, Enhanced Image Archiving
- E.U. Approved Threat Image Projection
- Tray Return System Compatible
- 13 Languages
- 64-bit Operating System



64-bit Operating System

info@rapiscansystems.com

www.rapiscansystems.com



**Rapiscan**  
systems  
An OSI Systems Company

1. Approximate Values 2. Stated performance as measured by Rapiscan® Imaging Validation Test Kit

Rapiscan® Systems is ISO 9001:2015 Certified

Rapiscan® Systems' cabinet X-ray products comply with all applicable U.S. FDA and equivalent international regulatory agency requirements, contained in the cabinet X-ray radiation safety performance standard [21 CFR 1020.40] and the general performance standard [21 CFR Part 1010] as well as IEC standard 61010-2-091. Rapiscan® baggage and parcel inspection systems radiation emission leakages are well below the required regulatory limits with less than 1µSv/hr at 10 cm from all surfaces of cabinet X-ray.

With continual development of our products Rapiscan® Systems reserves the right to amend specifications without notice. Product pictures are for general reference. Please note that due to US laws and regulations, not all Rapiscan® products are available for sale in all countries without restriction. Please contact your Rapiscan® Systems sales representative for more information.